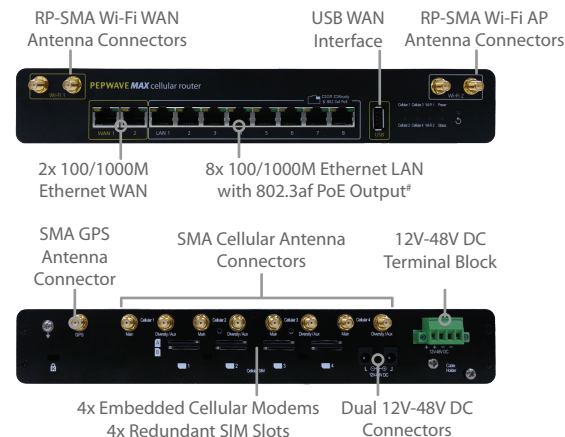


Specifications

MAX HD4	
WAN Interface	1x USB Interface 2x GE 4x Embedded LTE Modems with Redundant SIM Slots
LAN Interface	8x GE
Wi-Fi Interface	802.11a/b/g/n 300Mbps 2x2 MIMO Wi-Fi WAN and/or AP
Router Throughput	300Mbps
Recommended Users	50-500
Cellular and GPS Antenna Connector	8x SMA Antenna Connectors 1x SMA GPS Antenna Connector 4x RP-SMA Wi-Fi Antenna Connectors
Power Input	DC Jack/Terminal Block: 12V - 48V, 4A
Power Output	Up to Eight 802.3af PoE Outputs [#]
Power Consumption	38W (max.)
Dimensions	2.0 x 11.5 x 7.0 inches 50 x 292 x 177 mm
Weight	4.20 pounds 1.9 kg
Operating Temperature	-40° - 149°F -40° - 65°C
Humidity	15% - 95% (non-condensing)
Certifications	FCC, CE, RoHS, E-Mark Shock and Vibration Resistance: EN 61373:1999 IEC 61373:1999 Railway Applications: EN 50155 Electromagnetic Compatibility: EN 61000
Warranty	1-Year Limited Warranty



[#]PoE Activation Kit is available separately.

Ordering Information

Product Code	Carrier	Embedded Modem	4G Bands/Frequencies (MHz)	3G Bands/Frequencies (MHz)
MAX-HD4-LTE-US-T	Verizon/AT&T/T-Mobile	4	4G LTE: B2/1900, B4/AWS (XLTE), B5/850, B13/700, B17/700, B25/1900	WCDMA/HSPA+/DC-HSPA+: B1/2100, B2/1900, B4/AWS, B5/850, B8/900 EV-DO Rev.A: BC0/800, BC1/1900, BC10/800
MAX-HD4-LTE-UE-T	Cellular 1 & 2: Verizon/AT&T/T-Mobile Cellular 3 & 4: Europe/International	4	Cellular 1 & 2 4G LTE: B2/1900, B4/AWS (XLTE), B5/850, B13/700, B17/700, B25/1900 Cellular 3 & 4 4G LTE: B1/2100, B3/1800, B7/2600, B8/900, B20/800	Cellular 1 & 2 WCDMA/HSPA+/DC-HSPA+: B1/2100, B2/1900, B4/AWS, B5/850, B8/900 EV-DO Rev.A: BC0/800, BC1/1900, BC10/800 Cellular 3 & 4 WCDMA/HSPA+/DC-HSPA+: B1/2100, B2/1900, B5/850, B6/800, B8/900
MAX-HD4-LTE-E-T	Europe/International	4	4G LTE: B1/2100, B3/1800, B7/2600, B8/900, B20/800	WCDMA/HSPA+/DC-HSPA+: B1/2100, B2/1900, B5/850, B6/800, B8/900

MAX HD4 - PoE Activation Kit

Product Code	Description
ACW-609	Includes 1x 48V Power Supply and PoE License. Enables 4x 802.3af PoE Output Ports Requires 2x ACW-609 to enable all PoE ports

Features

WAN

Support for PPPoE, Static IP, DHCP
WAN Link Health Check
Bandwidth Allowance Monitor
USB 4G/3G Modem Support
IPv6 Support
Support for Dynamic DNS services

LAN

DHCP Server for LAN Clients
Extended DHCP Options
DHCP Reservation
DNS Proxy for LAN Clients
VLAN on LAN Support
Per-Port VLAN Support

Global Positioning System

Integrated GPS
Device Location Map
Location Tracking Data
GPS eXchange Format (GPX)
Fleet Management with InControl 2

Networking

NAT and IP Forwarding
Static Routes
Port Forwarding
Many to One, One to One NAT
NAT Pool
SIP ALG, H.323 ALG
UPnP, NAT-PMP
WINS Server
VRRP HA support

Load Balancing

Intelligent Failover
Session Persistence
Per-Service Load Distribution
Multiple Algorithms

Captive Portal Support

Wired & Wireless LAN Client Support
Support for RADIUS Authentication
Time and Usage Quotas on Open Access Mode
Built-in Customizable Splash Page

Security

Stateful Firewall
DoS Prevention
Web Blocking
Web Filtering Blacklist

Complete VPN Solution

PepVPN/SpeedFusion Hot Failover /SpeedFusion Bandwidth Bonding
Site-to-Site VPN
Bandwidth Bonding
Hot Failover
256-bit AES Encryption
Pre-shared Key Authentication
Dynamic Routing
X.509 Certificate Support
PPTP VPN Server
RADIUS, LDAP Authentication
IPsec VPN (Network-to-Network)
X.509 Certificate Support

AP Controller

AP Controller Support
Wi-Fi Usage Statistics

Device Management

Web Administrative Interface
Command Line Interface
InControl Cloud Management
Email Notification
Active Client & Session Lists
Bandwidth Usage Statistics
Syslog Service
SNMP v1, v2c and v3

Package Content

MAX HD4
12V4A Power Supply
4x Dual Band Wi-Fi Antennas
1x GPS Active Antenna
8x 2dBi 4G LTE Antennas
1 Pair of Mounting Brackets